



QRT Non-Contacting Analog Rotary Positional Sensor

Features

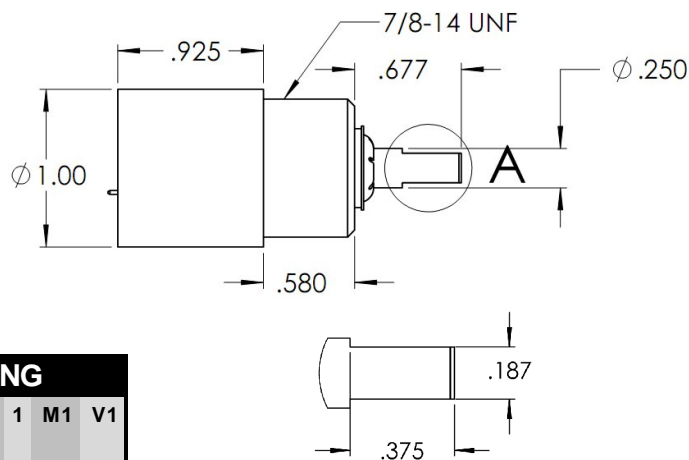
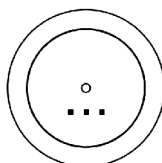
- Non-Contact QVLA[®] technology
- High resistance to vibration and shock.
- IP 67
- Highly repeatable
- Immune to EMF and magnetic flux
- > 10 KHz

Characteristics

VDD supply voltage: 12 or 24VDC
 Supply Current: 100mW
 Angle: 0-220 degrees absolute or 360 degrees continuous
 Resolution: < 1 degree
 Output Signal:
 0-10 VDC
 0-5 VDC
 4-20 mA (body .125" longer)
 Taper: linear, audio, or custom
 Terminals: Red-VDD, Black-GND, White-Signal



Designed, manufactured and marketed exclusively in the US.



Body .125" longer for 4-20 mA signal.

		QRT ORDERING						
		QRT	CW	90	N	1	M1	V1
Signal Increasing	Clockwise	CW						
	Counter Clockwise	CCW						
Degrees of Rotation	90-360	90						
	360 Continuous Y-N	90						
Output Signal	0-10 VDC	1						
	0-5 VDC	2						
	4-20 mA	3						
Mounting	Full Thread	M1						
	Snap ring	M2						
	Two #6 Screws	M3						
Supply Voltage	12 VDC small engine	V1						
	24VDC	V2						

